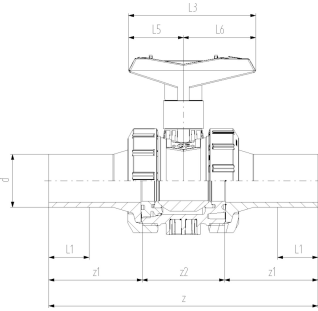




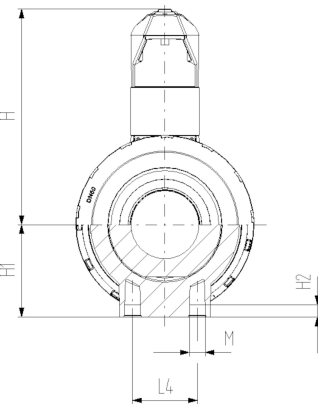
COOL-FIT PE Plus Ball valve Type 546 ball valve, insulated

Model:

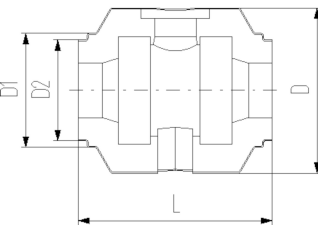
- ABS with spigot PE100 **SDR11**, metric
- Ball seats PTFE
- Integrated stainless steel mounting inserts
- Includes Insulation Kit
- Separate Fittings type A needed for joining



| d (mm) | DN (mm) | PN | Cv-value (l/min) | SDR | EPDM Code | weight (kg) |
|-----------|------------|----|---------------------|-----|--------------------|----------------|
| 32 | 25 | 10 | 700 | 11 | 138 546 108 | 0.542 |
| 40 | 32 | 10 | 1000 | 11 | 138 546 109 | 0.887 |
| 50 | 40 | 10 | 1600 | 11 | 138 546 110 | 1.165 |
| 63 | 50 | 10 | 3100 | 11 | 138 546 111 | 2.100 |
| 75 | 65 | 10 | 5000 | 11 | 138 546 112 | 5.125 |
| 90 | 80 | 10 | 7000 | 11 | 138 546 113 | 7.173 |



| d (mm) | DN (mm) | D (mm) | D1 (mm) | D2 (mm) | L (mm) | L1 (mm) | L3 (mm) | H (mm) | H1 (mm) | H2 (mm) | z (mm) | z1 (mm) | z2 (mm) |
|-----------|------------|-----------|------------|------------|-----------|------------|------------|-----------|------------|------------|-----------|------------|------------|
| 32 | 25 | 135 | 97 | 82 | 152 | 36 | 97 | 98 | 36 | 12 | 223 | 76 | 76 |
| 40 | 32 | 157 | 117 | 97 | 170 | 40 | 128 | 119 | 44 | 15 | 249 | 82 | 82 |
| 50 | 40 | 169 | 117 | 97 | 184 | 44 | 128 | 125 | 51 | 15 | 271 | 91 | 91 |
| 63 | 50 | 204 | 132 | 117 | 227 | 48 | 152 | 150 | 64 | 15 | 321 | 110 | 110 |
| 75 | 65 | 235 | 147 | 132 | 276 | 55 | 270 | 194 | 85 | 15 | 386 | 125 | 125 |
| 90 | 80 | 255 | 168 | 147 | 297 | 62 | 270 | 200 | 105 | 15 | 421 | 140 | 140 |



The technical data are not binding. They neither constitute expressly warranted characteristics nor guaranteed properties nor a guaranteed durability. They are subject to modification. Our General Terms of Sale apply.

Georg Fischer Piping Systems Ltd, Postfach, CH-8201 Schaffhausen/Switzerland Phone +41 -(0)52-631 1111 e-mail: info.ps@georgfischer.com Internet: <http://www.gfps.com>