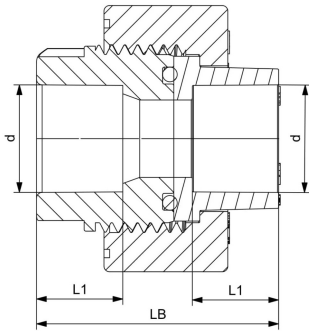


## AQUASYSTEM Union PP-R



### Attention:

- \* PN10 hot and cold water applications
- \*\* PN10 cold water applications only

	<b>Dim.</b> (mm)	<b>Code</b>	<b>GP</b>	<b>SP</b>	<b>PN</b> (bar)	<b>d</b> (mm)	<b>L1</b> (mm)	<b>LB</b> (mm)
*	20	<b>4302902028021</b>	200	50	10	19.2	15.4	43.2
*	25	<b>4302902528121</b>	125	25	10	24.3	18.5	46.7
*	32	<b>4302903228221</b>	80	20	10	31.2	20.5	52.2
**	40	<b>4302904028321</b>	50	10	10	39.0	23.9	60.5
**	50	<b>4302905028421</b>	30	5	10	48.9	24.0	65.4
**	63	<b>4302906328521</b>	20	4	10	61.9	27.5	71.0
**	75	<b>4302907528621</b>	16	2	10	74.3	31.0	79.0
**	90	<b>4302909032521</b>	8	1	10	89.2	35.5	90.5

The technical data are not binding. They neither constitute expressly warranted characteristics nor guaranteed properties nor a guaranteed durability. They are subject to modification. Our General Terms of Sale apply.

Georg Fischer Piping Systems Ltd, Postfach, CH-8201 Schaffhausen/Switzerland

Phone +41 -(0)52-631 1111

e-mail: [info.ps@georgfischer.com](mailto:info.ps@georgfischer.com)

Internet: <http://www.gfps.com>