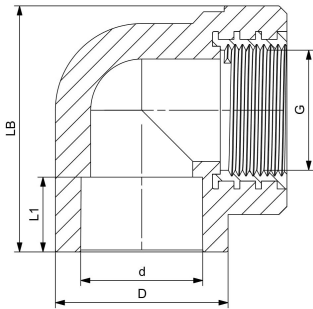




AQUASYSTEM Female Elbow BSPP-G PP-R

Dim. (mm)	G (inch)	Code	GP	SP	PN (bar)	D (mm)	d (mm)	L1 (mm)	LB (mm)
20	½	4302102006021	200	50	25	28.0	19.2	15.0	48.0
20	¾	4302102006121	200	40	25	30.0	19.2	16.0	50.0
25	½	4302102506221	175	25	25	35.0	24.2	21.0	52.0
25	¾	4302102506321	140	35	25	32.5	24.2	16.5	59.0
32	¾	4302103206421	75	15	25	44.0	31.1	19.0	62.5
32	1	4302103206521	75	15	25	44.0	31.1	19.0	62.5



The technical data are not binding. They neither constitute expressly warranted characteristics nor guaranteed properties nor a guaranteed durability. They are subject to modification. Our General Terms of Sale apply.

Georg Fischer Piping Systems Ltd, Postfach, CH-8201 Schaffhausen/Switzerland

Phone +41 -(0)52-631 1111

e-mail: info.ps@georgfischer.com

Internet: <http://www.gfps.com>