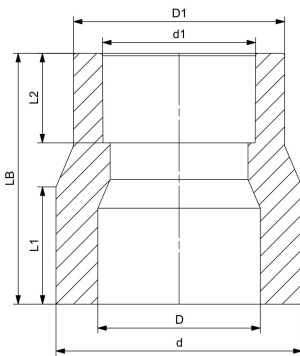


AQUASYSTEM Reducer PP-R



Remark:

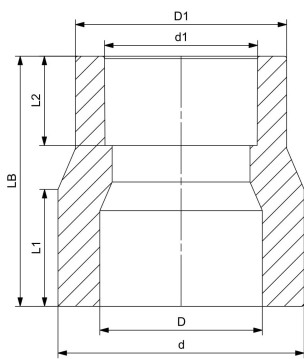
There are two alternatives for d160 mm fittings: Butt fusion and Socket fusion fittings. Butt fusion products are SDR 11 and only compatible with same SDR pipes. Socket fusion products can be welded to all type of pipes.

Dim. (mm)	Code	GP	SP
25-20	4302402510021	500	100
32-20	4302403210121	400	50
32-25	4302403210221	350	50
40-20	4302404010321	250	50
40-25	4302404010421	250	25
40-32	4302404010521	175	25
50-20	4302405010621	150	25
50-25	4302405010721	150	25
50-32	4302405010821	150	25
50-40	4302405010921	100	20
63-25	4302406311021	75	15
63-32	4302406311121	75	15
63-40	4302406311221	75	15
63-50	4302406311321	50	10
75-50	4302407511421	40	8
75-63	4302407511521	40	8
90-50	4302409011521	20	5
90-63	4302409011621	20	5
90-75	4302409011721	16	4
110-63	4302411011721	16	4
110-75	4302411011821	16	4
110-90	4302411011921	16	4
125-75	4302412512022	12	1
125-90	4302412512122	12	1
125-110	4302412512222	12	1
160-110	4302416011921	7	1
butt fusion 160-125	4302416012322	3	1

PN (bar)	D (mm)	d (mm)	D1 (mm)	d1 (mm)	L1 (mm)	L2 (mm)	LB (mm)
25	16.3	25.0	28.0	19.2	18.5	15.5	36.0
25	20.9	32.0	29.0	19.2	21.0	14.5	41.5
25	21.4	32.0	33.8	24.2	19.6	16.0	38.2
25	30.8	40.0	29.0	19.2	26.8	16.0	45.8
25	30.8	40.0	34.0	24.2	27.0	19.0	46.5
25	31.0	40.0	42.5	31.1	26.7	20.0	47.0
25	33.2	50.0	26.5	19.2	23.5	14.5	47.5
25	33.2	50.0	33.0	24.2	23.5	16.0	48.5
25	33.2	50.0	41.5	31.1	23.5	18.1	50.7
25	33.4	50.0	52.0	39.0	23.5	20.5	53.8
25	42.0	63.0	33.0	24.2	27.5	16.5	55.3
25	41.8	63.0	41.5	31.1	27.5	18.1	58.0
25	42.0	63.3	52.0	39.0	27.5	20.7	60.5
25	43.0	63.0	65.5	48.9	27.5	32.2	63.0
25	50.0	75.0	66.0	48.9	30.0	24.0	68.0
25	51.5	75.0	82.4	61.9	30.0	28.0	71.5
25	60.0	90.0	66.0	48.9	40.0	23.5	68.0
25	60.0	90.0	84.0	61.9	41.0	27.5	75.0
25	59.0	90.0	98.0	73.4	41.0	30.5	81.0
25	70.8	110.0	84.0	61.9	45.0	28.0	82.0
25	72.0	110.0	98.5	73.4	45.0	31.0	87.0
25	75.0	110.0	118.5	89.0	45.0	35.5	92.0

Data sheet

valid from: 8/5/22



	PN (bar)	D (mm)	d (mm)	D1 (mm)	d1 (mm)	L1 (mm)	L2 (mm)	LB (mm)
	25	78.2	125.0	124.2	73.4	40.0	30.0	98.0
	25	82.4	125.0	136.4	88.2	40.0	33.0	102.0
	25	84.3	125.0	142.9	108.6	52.0	37.7	105.2
	20	106.8	160.0	144.5	108.0	50.0	37.0	90.0
butt fusion	10	130.8	160.0	125.0	102.2	113.0	95.0	260.0

The technical data are not binding. They neither constitute expressly warranted characteristics nor guaranteed properties nor a guaranteed durability. They are subject to modification. Our General Terms of Sale apply.

Georg Fischer Piping Systems Ltd, Postfach, CH-8201 Schaffhausen/Switzerland

Phone +41 -(0)52-631 1111

e-mail: info.ps@georgfischer.com

Internet: <http://www.gfps.com>