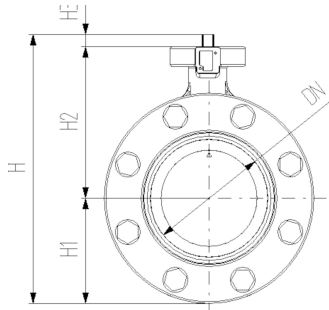




**COOL-FIT 2.0 Butterfly valve kit type 567 PVC-U
Bare shaft**

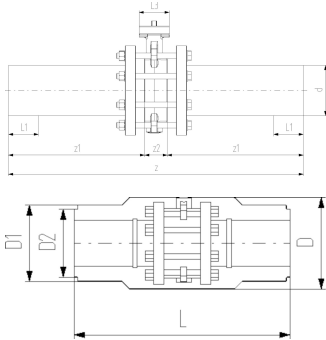
Model:

- Material: PVC-U with spigot PE100 SDR11, metric
- Interface F07 according to DIN/ISO 5211
- Including valve, flange adaptors, and insulation half shells



d (mm)	DN (mm)	PN	Cv-value (l/min)	weight (kg)	EPDM Code
110	100	10	6500		138 567 414
140	125	10	11500		138 567 416

d (mm)	DN (mm)	D (mm)	D1 (mm)	D2 (mm)	L (mm)	L1 (mm)	L3 (mm)	z (mm)	z1 (mm)	z2 (mm)	H1 (mm)	H2 (mm)	H3 (mm)	closest inch (inch)
110	100	260	188	168	552	72	106	696	320	56	104	167	55	4
140	125	287	233	208	662	84	106	830	383	64	117	181	55	5



The technical data are not binding. They neither constitute expressly warranted characteristics nor guaranteed properties nor a guaranteed durability. They are subject to modification. Our General Terms of Sale apply.

Georg Fischer Piping Systems Ltd, Postfach, CH-8201 Schaffhausen/Switzerland Phone +41 -(0)52-631 1111 e-mail: info.ps@georgfischer.com Internet: <http://www.gfps.com>