



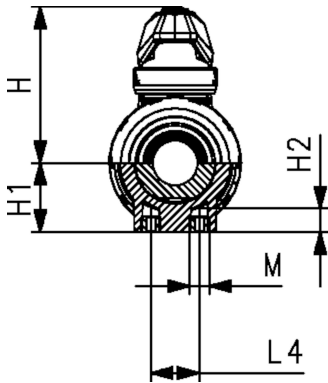
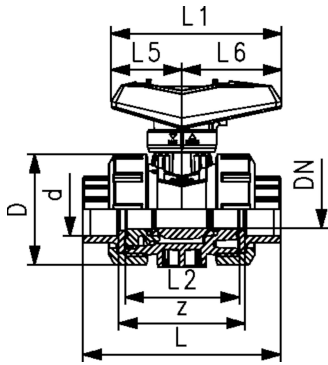
SYGEF Standard Ball valve type 546 Pro With threaded sockets NPT

Model:

- Material: PVDF
- Lockable lever standard (DN10-DN50)
- For easy installation and removal
- Ball seats PTFE
- Integrated stainless steel mounting inserts
- Z-dimension, valve end and union nut **are compatible** with type 546 (1st Generation)

Option:

- Interface-module with position feedback sensor, incl. LED feedback (DN10-50)
- Manual spring return lever ("Dead man") (DN10-25)
- Pneumatic or electric actuators from GF
- Individual configuration of the valve possible



NPT (inch)	d (mm)	DN (mm)	PN (bar)	Cv-value (l/min)	FKM Code	weight (kg)
3/8	16	10	10	71	175 546 331	0.205
1/2	20	15	10	185	175 546 332	0.205
3/4	25	20	10	350	175 546 333	0.325
1	32	25	10	700	175 546 334	0.490
1 1/4	40	32	10	1000	175 546 335	0.820
1 1/2	50	40	10	1600	175 546 336	1.135
2	63	50	10	3100	175 546 337	2.150

NPT (inch)	D (mm)	H (mm)	H1 (mm)	H2 (mm)	L (mm)	L1 (mm)	L2 (mm)	L4 (mm)	L5 (mm)	L6 (mm)	M	z (mm)
3/8	50	61	27	12	96	82	56	25	35	47	M6	74
1/2	50	61	27	12	99	82	56	25	35	47	M6	70
3/4	58	74	30	12	111	106	65	25	44	62	M6	81
1	68	80	36	12	126	106	71	25	44	62	M6	89
1 1/4	84	95	44	15	146	131	85	45	57	74	M8	106
1 1/2	97	102	51	15	157	131	89	45	57	74	M8	117
2	124	117	64	15	183	152	101	45	66	86	M8	141

The technical data are not binding. They neither constitute expressly warranted characteristics nor guaranteed properties nor a guaranteed durability. They are subject to modification. Our General Terms of Sale apply.

Georg Fischer Piping Systems Ltd, Postfach, CH-8201 Schaffhausen/Switzerland Phone +41 -(0)52-631 1111 e-mail:
info.ps@georgfischer.com Internet: <http://www.gfps.com>