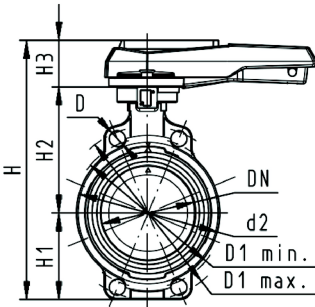




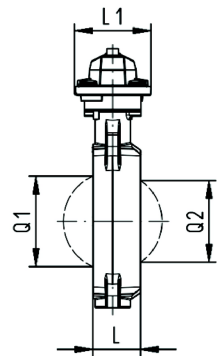
## Type 567 Butterfly Valve PROGEF Standard PP Lever Operated

### Model:

- Material: PP-H, DN350-DN600 material PP-R
- Connecting dimension: ISO 7005 PN 10, EN 1092 PN 10, DIN 2501 PN 10, ANSI/ASME B 16.5 Class 150, BS 1560: 1989, BS 4504, JIS B 2220
- Up to DN 300: Overall length according to EN558 (DN 50-200: line 25, DN250, 300 line 16), ISO 5752
- We recommend for the dimensions DN250 and DN300 only 6 bar maximum system pressure for the hand lever version



Size (inch)	EPDM Code	FKM Code
2	167 567 002	167 567 022
2 ½	167 567 003	167 567 023
3	167 567 004	167 567 024
4	167 567 005	167 567 025
5	167 567 006	167 567 026
6	167 567 007	167 567 027
8	167 567 008	167 567 028
10	167 567 009	167 567 029
12	167 567 010	167 567 030



d	DN	D	D1 min.	D1 max.	d2	H	H1	H2	H3	L	L1	L2	Q1	Q2
(mm)	(mm)	(mm)	(mm)	(mm)	(mm)	(mm)	(mm)	(mm)	(mm)	(mm)	(mm)	(mm)	(mm)	(mm)
63	50	19	120	125	104	264	77	134	54	45	106	205	40	
75	65	19	140	145	115	277	83	140	54	46	106	205	54	35
90	80	19	150	160	131	289	89	146	54	49	106	205	67	50
110	100	19	175	191	161	325	104	167	55	56	106	255	88	74
140	125	23	210	216	187	352	117	181	55	64	106	255	113	97
160	150	24	241	241	215	373	130	189	55	72	106	255	139	123
225	200	23	290	295	267	435	158	210	67	73	140	408	178	169
280	250	25	353	362	329	554	205	264	85	113	149	408	210	207
315	300	25	400	432	379	598	228	285	85	113	149	408	256	253

Cv-value (L/min)	PN (bar)	Weight (kg)
1470	10	1.627
2200	10	1.061
3000	10	1.404
6500	10	1.998
11500	10	2.429
16600	10	3.246
39600	10	5.609
55200	8	11.841
80000	8	13.245

The technical data are not binding. They neither constitute expressly warranted characteristics nor guaranteed properties nor a guaranteed durability. They are subject to modification. Our General Terms of Sale apply.

Georg Fischer Piping Systems Ltd, Postfach, CH-8201 Schaffhausen/Switzerland Phone +41 -(0)52-631 1111 e-mail: info.ps@georgfischer.com Internet: <http://www.gfps.com>