

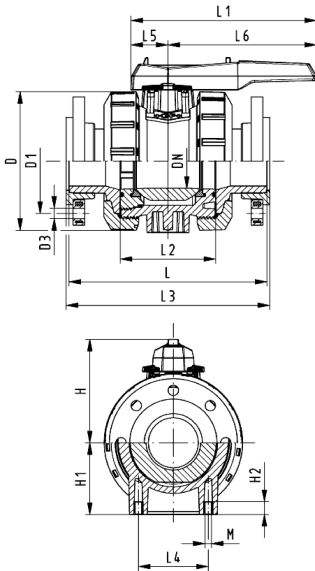
PROGEF Standard Ball valve type 546 Pro
With backing flanges PP-st metric

Model:

- Material: PP-H
- For easy installation and removal
- Ball seats PTFE
- Integrated stainless steel mounting inserts
- Z-dimension, valve end and union nut **are compatible** with type 546 (1st Generation)
- Overall length EN 558
- Connecting dimension: ISO 7005, EN 1092, BS 4504, DIN 2501
- Hole circle PN10

Option:

- Pneumatic or electric actuators from GF
- Individual configuration of the valve possible
- Multifunctional module with integrated limit switches (DN65-100)



d (mm)	DN (mm)	PN (bar)	Cv-value (l/min)	EPDM Code	SP weight (kg)	FKM Code	SP weight (kg)
75	65	10	5000	167 546 808	1 6.352	167 546 818	1 5.417
90	80	10	7000	167 546 809	1 7.907	167 546 819	1 7.941
110	100	10	11000	167 546 810	1 10.896	167 546 820	1 9.928

d (mm)	D (mm)	D1 (mm)	D3 (mm)	H (mm)	H1 (mm)	H2 (mm)	L1 (mm)	L2 (mm)	L3 (mm)	L4 (mm)	L5 (mm)	L6 (mm)	M
75	185	145	18	150	85	15	269	136	290	70	64	206	M8
90	200	160	18	161	105	15	269	141	310	70	64	206	8
110	220	180	18	178	123	22	319	164	350	120	64	256	M12

The technical data are not binding. They neither constitute expressly warranted characteristics nor guaranteed properties nor a guaranteed durability. They are subject to modification. Our General Terms of Sale apply.

Georg Fischer Piping Systems Ltd, Postfach, CH-8201 Schaffhausen/Switzerland Phone +41 -(0)52-631 1111 e-mail:
 info.ps@georgfischer.com Internet: <http://www.gfps.com>